

**SEG**

# SP 740 SMART VALVE POSITIONER



**Precision and reliable valve control with  
Shinhwa Engineering.**



SP740



SP760



SP520

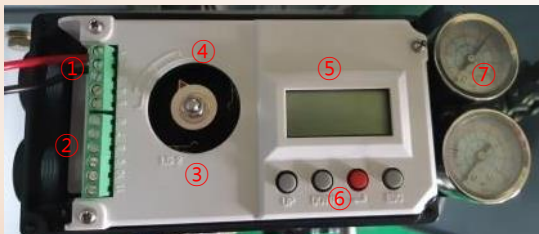
**SEG** SHINHWA ENG. CO., LTD.



## FEATURES

- High reliability
- Single or Double acting actuator
- Quick and easy operation
  - Auto calibration
  - Simple Initialization
  - Self diagnostic function
- LCD and 4 button local control
- Enclosure IP66
- Global approvals for explosion protection (IECEX, ATEX, KOSHA, NEPSI)
- Vibration and impact resistance
- HART communication

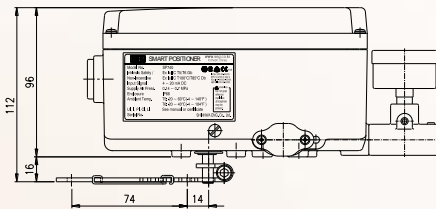
Model	SP740S (Single)		SP740D (Double)	
	Linear	Rotary	Linear	Rotary
Motion Type				
Input Signal	4~20mA DC			
Impedance	Max.450Ω @ 20mA DC			
Air Connection	PT 1/4, NPT 1/4			
Pres. Gauge Connection	PT 1/8, NPT 1/8			
Conduit Entry	PF(G) 1/2(Standard), NPT1/2(Option)			
Supply Pressure	0.14~0.7 MPa (1.4~7 bar)			
Explosion Proof Grade	Ex ia IIC T5/T6			
Enclosure	IP66			
Ambient Temperature	-30~80℃			
Linearity	±0.5% F.S.			
Hysteresis	±0.5% F.S.			
Sensitivity	±0.2% F.S			
Repeatability	±0.3% F.S.			
Cam Characteristic	Linear(L), Square(S), Square root(R), User Set (16 Point)			
Humidity	5~95% RH at 40℃			
Communication(Optional)	HART Communication			
Feedback Signal (Option)	4~20mA (DC 10~30V )			
Material	Aluminum Diecasting			
Weight	2 kg (4.4 lb)			



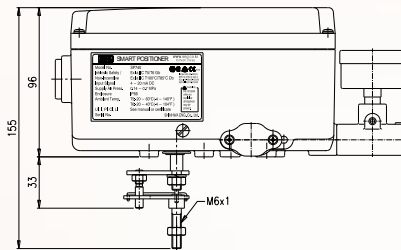
1. Input signal (4~20mA DC)  
Feedback signal ( 4~20mA DC, 2Wire)
2. Limit switch Terminal
3. Limit switch (Option)
4. Indicator needle
5. LCD
6. Button (4)
7. Pressure gauge

### MODEL SELECTION

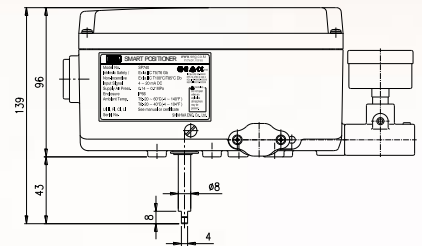
모델명	SP740	(1)	(2)	(3)	(4)	(5)	(6)	(7)	(8)
<b>Acting Type</b>	Single Double	<b>S</b> <b>D</b>							
<b>Motion Type</b>	Linear 20 ~ 80 mm 80 ~ 160 mm		<b>L1</b> <b>L2</b>						
	Rotary Standard Fork Lever Namur		<b>R0</b> <b>R1</b> <b>R2</b>						
<b>Feedback</b>	None Position transmitter(4 ~ 20 mA DC)			<b>0</b> <b>1</b>					
<b>Output safe Position</b>	Fail safe Fail Lock				<b>1</b> <b>*</b>				
<b>Explosion Protection</b>	None Explosion proof(IP66) Explosion proof(Ex ia IIC T5/T6)					<b>1</b> <b>2</b>			
<b>Connection</b>	Air – PT1/4", Conduit – G(PF)1/2" Air – NPT1/4", Conduit – NPT1/2"						<b>G</b> <b>N</b>		
<b>Position L/S</b>	None 2 × SPDT							<b>0</b> <b>1</b>	
<b>Option</b>	None HART communication								<b>0</b> <b>H</b>



LEVER TYPE

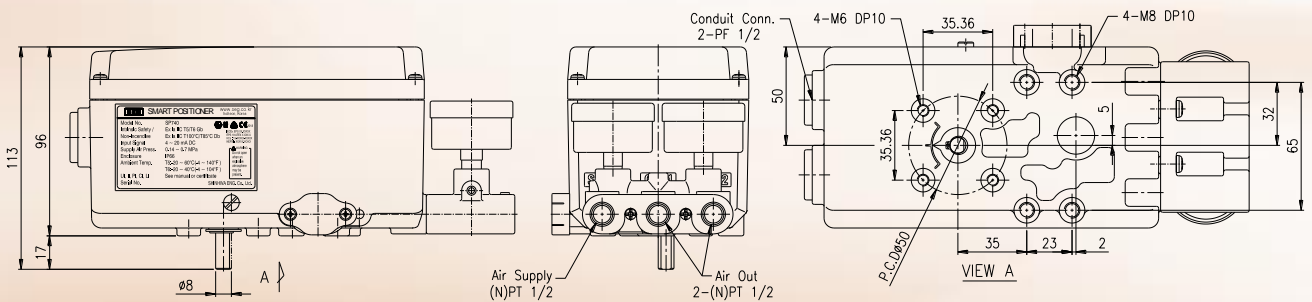


FORK LEVER TYPE



NAMUR TYPE

### DIMENSIONS (unit :mm)



## **Production item**

- ◆ **Motor Cylinder**
- ◆ **Electrical Actuator**
- ◆ **Pneumatic Actuator**
- ◆ **Smart Positioner**



**SHINHWA ENG. CO., LTD.**

242, CHEONGNEUNG-DAERO, NANDONG-GU,  
INCHEON-CITY KOREA  
TEL +82-32-817-8030  
FAX +82-32-815-8036  
Web <http://www.seg.co.kr>  
E-mail [8030@seg.co.kr](mailto:8030@seg.co.kr)

Version : SEG\_EN\_02/2020



We reserve the right to make technical changes or modify  
the contents of this document without prior notice

Copyright © 2020 SEG

All rights reserved.

Printed in Korea