

SP520 E-P POSITIONER



**Precision and reliable valve control with
Shinhwa Engineering.**



SP740



SP760



SP520



SP520 Electro-Pneumatic Positioner



FEATURES

- Compact design, rugged construction
- Quick and Precise response operation
 - Highly precise zero adjustment
 - Ease setting and calibration
 - Wide range of zero setting
- Easy and precise calibration with zero and Span adjustment
- Enclosure IP66
- Global approvals for explosion protection
Ex db mb IIB/IIC T5/T6 Gb, Ex ia IIB T6 Gb)
(IECEx, ATEX, KCs, CCC)
- Vibration and impact resistance

Model	SP520S		SP520D	
Acting Type	Single		Double	
Motion Type	Linear	Rotary	Linear	Rotary
Input Signal	4~20mA DC			
Impedance	240 ± 15 Ω			
Air Connection	Rc(PT) 1/4, NPT 1/4			
Pres. Gauge Connection	Rc(PT) 1/8, NPT 1/8			
Conduit Entry	PF(G)1/2, NPT1/2, M20x1.5			
Stroke	10~150 mm	0~90°	10~150 mm	0~90°
Supply Pressure	0.14~0.7 MPa (1.4~7 bar)			
Explosion Proof Grade	Ex db mb(dmb) IIB/IIC T5/T6 Gb Ex ia IIB T6 Gb Ex tb IIIC T80°C/T90°C Db (IECEX), (ATEX), (KCs), (CCC)			
Enclosure	IP66			
Ambient Temperature	-20~70°C (-4°F~158°F)			
Linearity	±1% F.S.		±2% F.S.	
Hysteresis	±1% F.S.			
Sensitivity	±0.2% F.S		±0.5% F.S	
Repeatability	±0.5% F.S.			
Flow Capacity	70 LPM (Sup.=0.14 MPa)			
Air Consumption	2 LPM (sup=0.14MPa), 3 LPM (sup.=0.7MPa)			
Humidity	5~95% RH at 40°C			
Feedback Signal (Option)	4~20mA (DC 10~30V)			
Material	Aluminum Diecasting			
Weight	3 kg (6.6 lb)			
Painting	Epoxy Polyestere Powder Coating			
Color	Black			

MODEL SELECTION (LINEAR TYPE)

Model	SP520	(1)	(2)	(3)	(4)	(5)	(6)	(7)	(8)
Acting Type	Single Double	S D							
Motion Type	Linear 10~40mm 40~90mm 90~150mm		L1 L2 L3						
Feedback	None Position transmitter(4 ~ 20 mA DC)			0 1					
Explosion Protection	None (IP66) Ex db mb(dmb) IIB/IIC T5/T6 Gb Ex ia IIB T6 Gb Ex tb IIIC T80°C/T90°C Db				N D A T				
Explosion proof specification	None (IP66) KCs IECEX ATEX CCC					0 1 2 3 4			
Connection	Air – Rc(PT)1/4, Conduit – G(PF)1/2 Air – NPT1/4, Conduit – NPT1/2 Air – NPT1/4, Conduit – M20x1.5						G N M		
Position L/S	None							0	
Orifice	None Ø1 Ø2								0 1 2
※ Optionable items 1. Non-Explosion Proof : Feedback option 2. Ex db mb(dmb) : Option not applicable. 3. Ex ia : Feedback option									



LINEAR TYPE



ROTARY TYPE

MODEL SELECTION (ROTARY TYPE)

Model	SP520	(1)	(2)	(3)	(4)	(5)	(6)	(7)	(8)
Acting Type	Single Double	S D							
Motion Type	Rotary Fork Lever Namur		R1 R2						
Feedback	None Position transmitter(4 ~ 20 mA DC)			0 1					
Explosion Protection	None (IP66) Ex db mb(dmb) IIB/IIC T5/T6 Gb Ex ia IIB T6 Gb Ex tb IIC T80°C/T90°C Db				N D A T				
Explosion proof specification	None (IP66) KCs IECEX ATEX CCCI					0 1 2 3 4			
Connection	Air – Rc(PT)1/4, Conduit – G(PF)1/2 Air – NPT1/4, Conduit – NPT1/2 Air – NPT1/4, Conduit – M20x1.5						G N M		
Position L/S	None 2×SPDT External Limit Switch							0 1 2	
Orifice	None Ø1 Ø2								0 1 2
<p>※ Optionable items</p> <p>1. Non-Explosion Proof : Feedback, L/S, Feedback + L/S, External L/S, External (L/S + Feedback)</p> <p>2. Ex db mb(dmb) : External L/S, External (L/S + Feedback)</p> <p>3. Ex ia : Feedback, L/S, Feedback + L/S</p> <p>4. Ex tb: External L/S, External L/S + Feedback (External equipment can be used by third-party products)</p>									

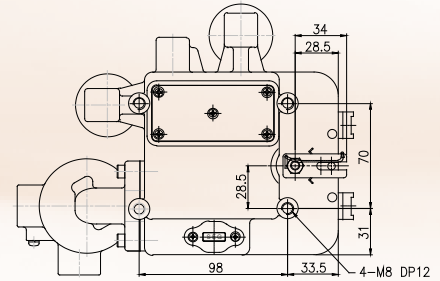
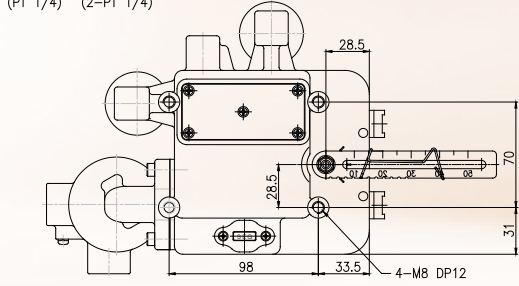
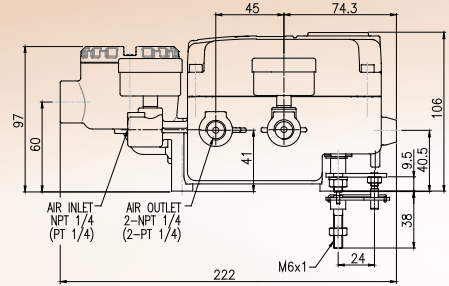
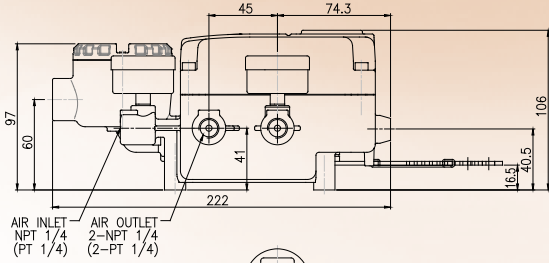
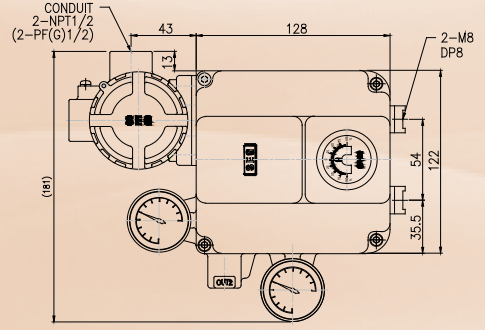
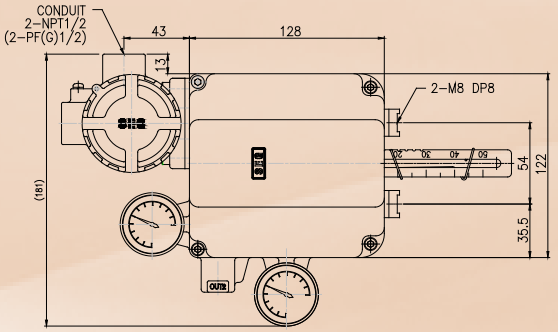


ROTARY TYPE
(Internal Limit switch)



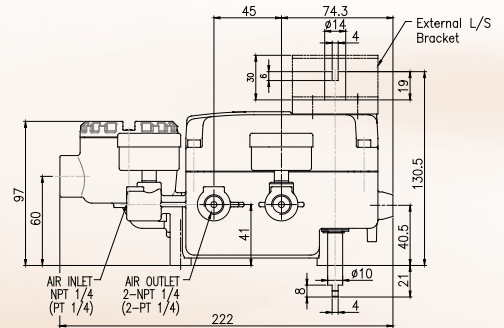
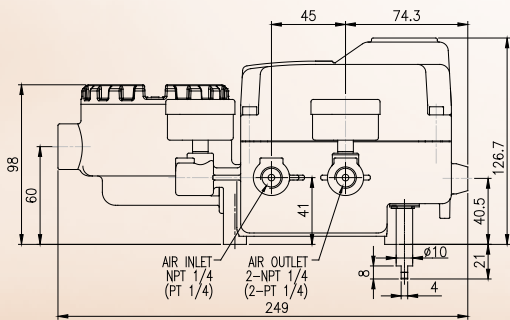
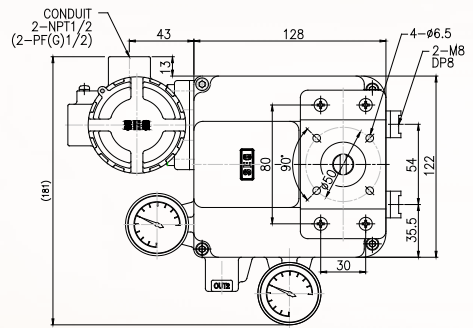
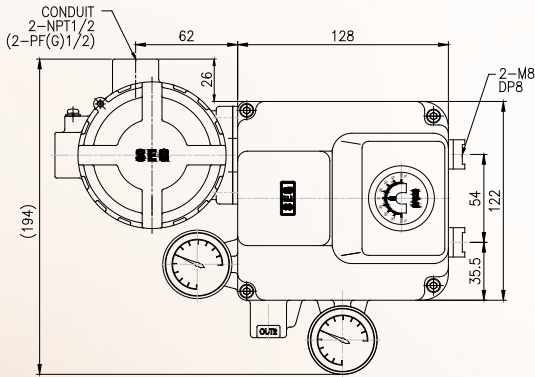
ROTARY TYPE
(External Limit switch)

DIMENSIONS



LINEAR TYPE

ROTARY TYPE



ROTARY TYPE
(Internal Limit switch)

ROTARY TYPE
(External Limit switch)

Production item

- ◆ **Motor Cylinder**
- ◆ **Electrical Actuator**
- ◆ **Pneumatic Actuator**
- ◆ **Smart Positioner**



SHINHWA ENG. CO., LTD.

242, CHEONGNEUNG-DAERO, NANDONG-GU,
INCHEON-CITY KOREA
TEL +82-32-817-8030
FAX +82-32-815-8036
Web <http://www.seg.co.kr>
E-mail 8030@seg.co.kr

Version : SEG EN_11/2020



We reserve the right to make technical changes or modify
the contents of this document without prior notice

Copyright © 2020 SEG

All rights reserved.

Printed in Korea