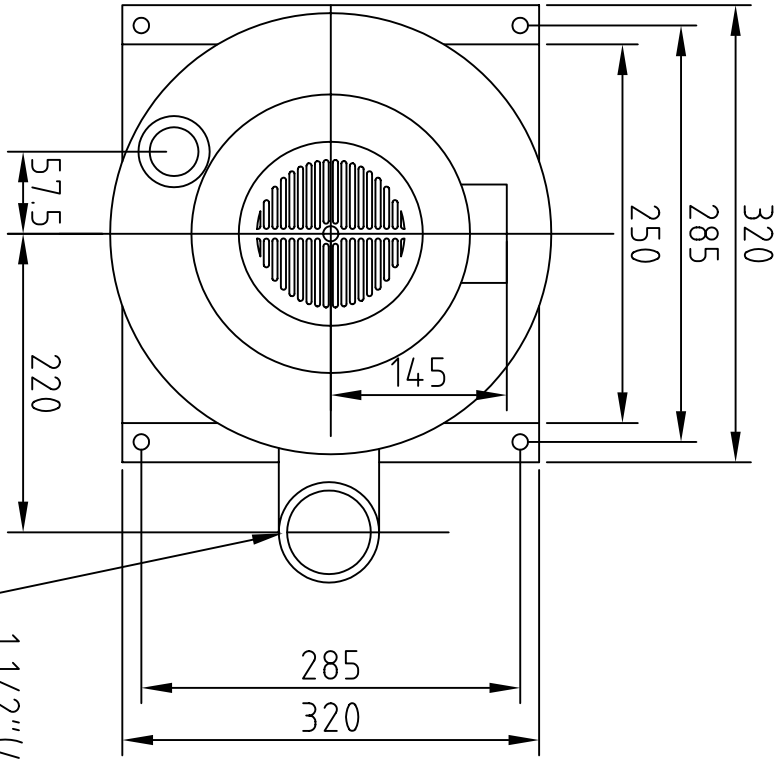


4- ϕ 12



| | | | | | |
|-------------|---------|--------|-----------------|-----------------|---------------|
| HRBV-402 | 2.2KW | 2.55KW | HRBV-402,402(S) | NAME OF PARTS | Shape Drawing |
| HRBV-402(S) | 1.5KW | 1.75KW | | DRAWING DESIGN | SCALE |
| Model | 50HZ | 60HZ | | CHECKER | UNIT |
| | OUT PUT | | | APPROVED | MM |
| | | | | HWANG HAE | |
| | | | | ELECTRIC MOTORS | |
| | | | | DWG. NO | |