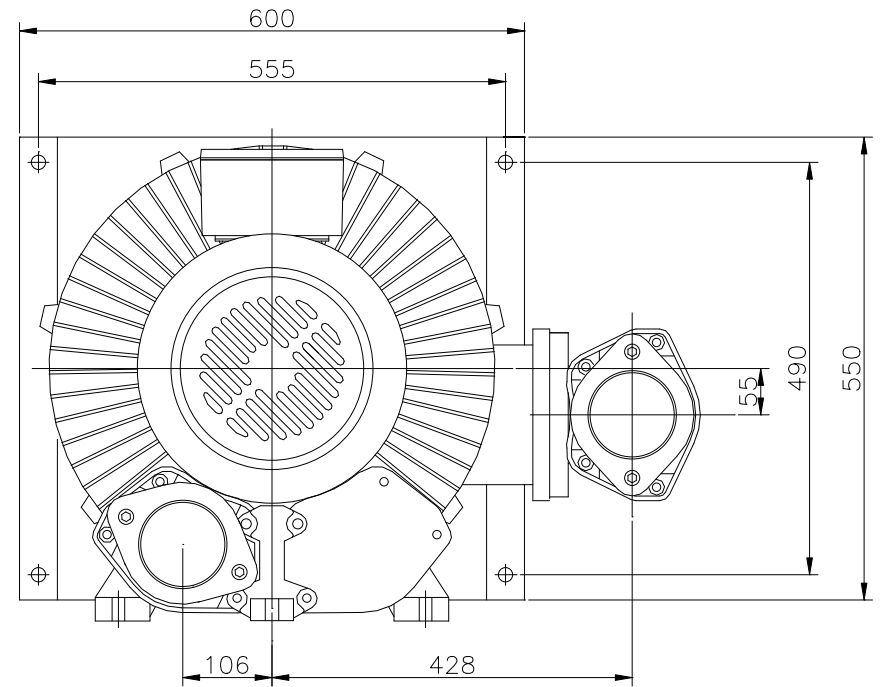
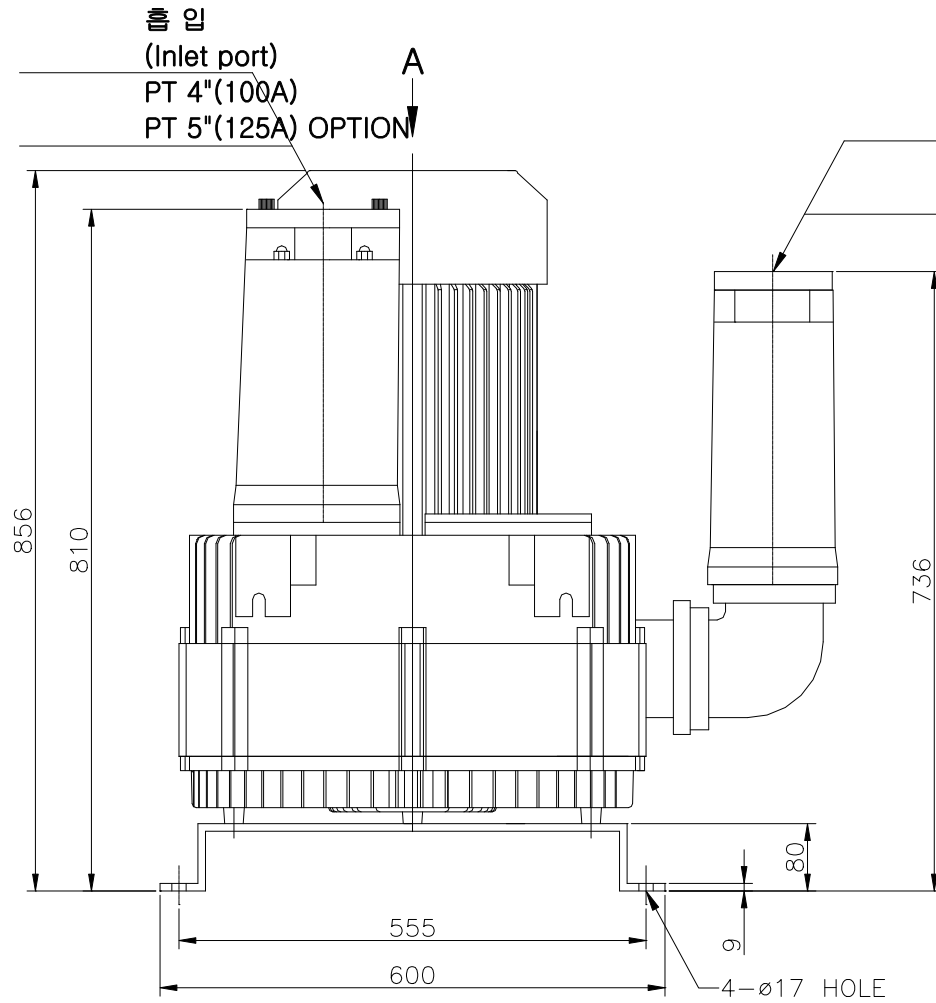


NOTE 1)

No.	PART NAME	MATERIAL	Qt'y	SIZE	REMARK
01					



View A

△						00			
No.	Revision					Date	Draw	Check	Appr.
형식 TYPE	HRBV-1502				도명 TITLE	OUTWARD DWG.			
DRAWN	DESIGN	CHECKED	APPROVED	3RD ANGLE	SCALE:1/1	UNIT:mm			
B.S.Kim					SIZE	3 ϕ 2P 26.8Kw			
10.10.15									
黃海電機 HWANG HAE ELECTRIC					도번 DWG. No.	BOD00131			

