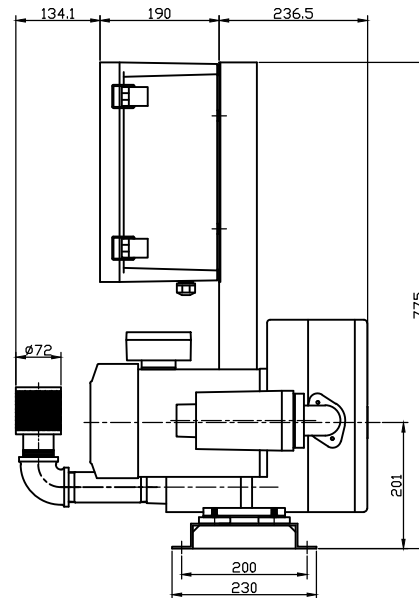
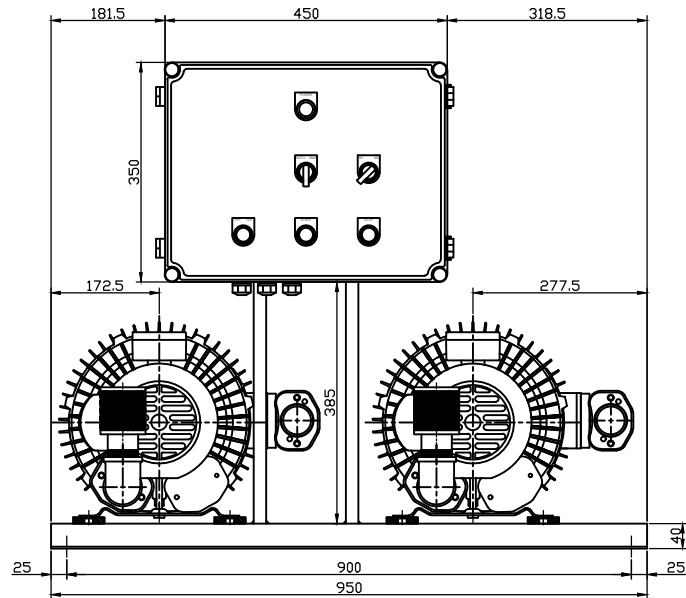
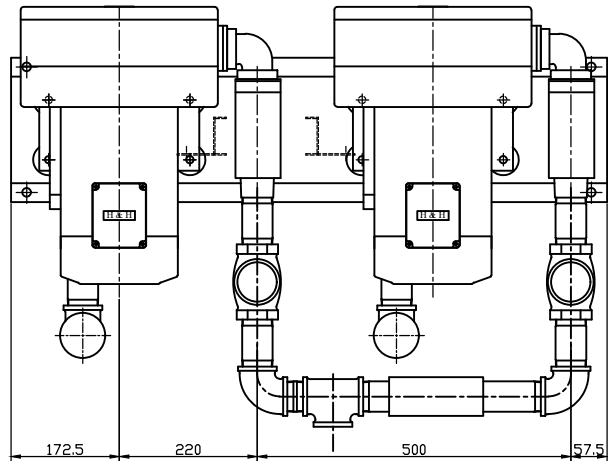



NOTE 1) 모터 21

No.	PART NAME	MATERIAL	Qt'y	SIZE	REMARK
01					



No.		Revision		Date	Draw	Check	Appr.
00							
형식 TYPE	HRB-402S-1		도명 TITLE	외형도 (OUTWARD DWG.)			
DRAWN	DESIGN	CHECKED	APPROVED	3RD ANGLE	SCALE:1/1	UNIT:mm	
B.S.Kim				SIZE	3φ 2P 1.5kW		
17.02.17				도번 DWG. No	BOD00446		△
 黃海電機 HWANG HAE ELECTRIC							