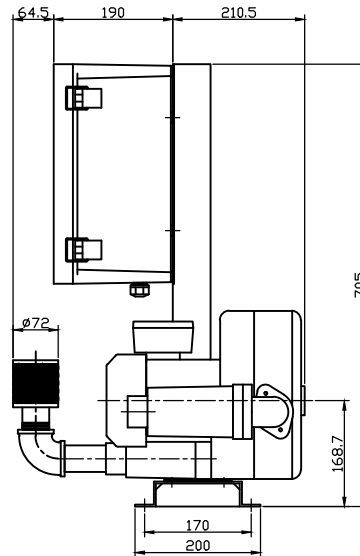
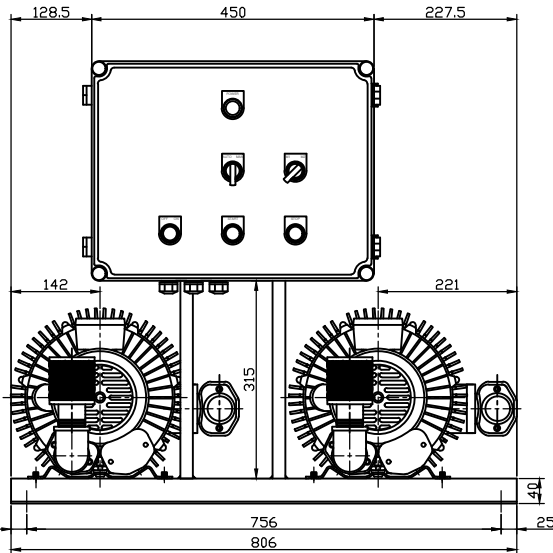
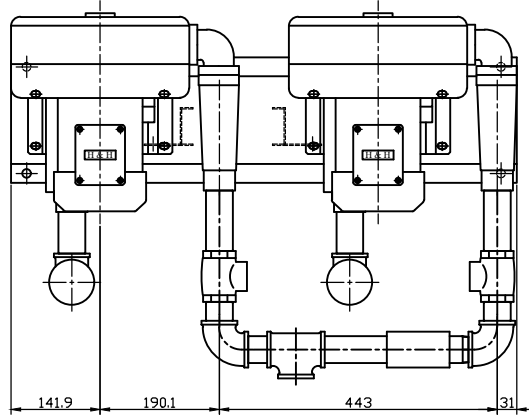



NOTE 1) 모터 21

No.	PART NAME	MATERIAL	Qt'y	SIZE	REMARK
01					



No.		Revision		Date		Draw	Check	Appr.
형식 TYPE		HRB-102/1		도명 TITLE		외형도 (OUTWARD DWG.)		
DRAWN	DESIGN	CHECKED	APPROVED	3RD ANGLE	SCALE:1/1	UNIT:mm		
B.S.Kim				SIZE		3φ 2P 0.4kW		
17.02.17				도번 DWG. No		BOD00443		△
 黃海電機 HWANG HAE ELECTRIC								